



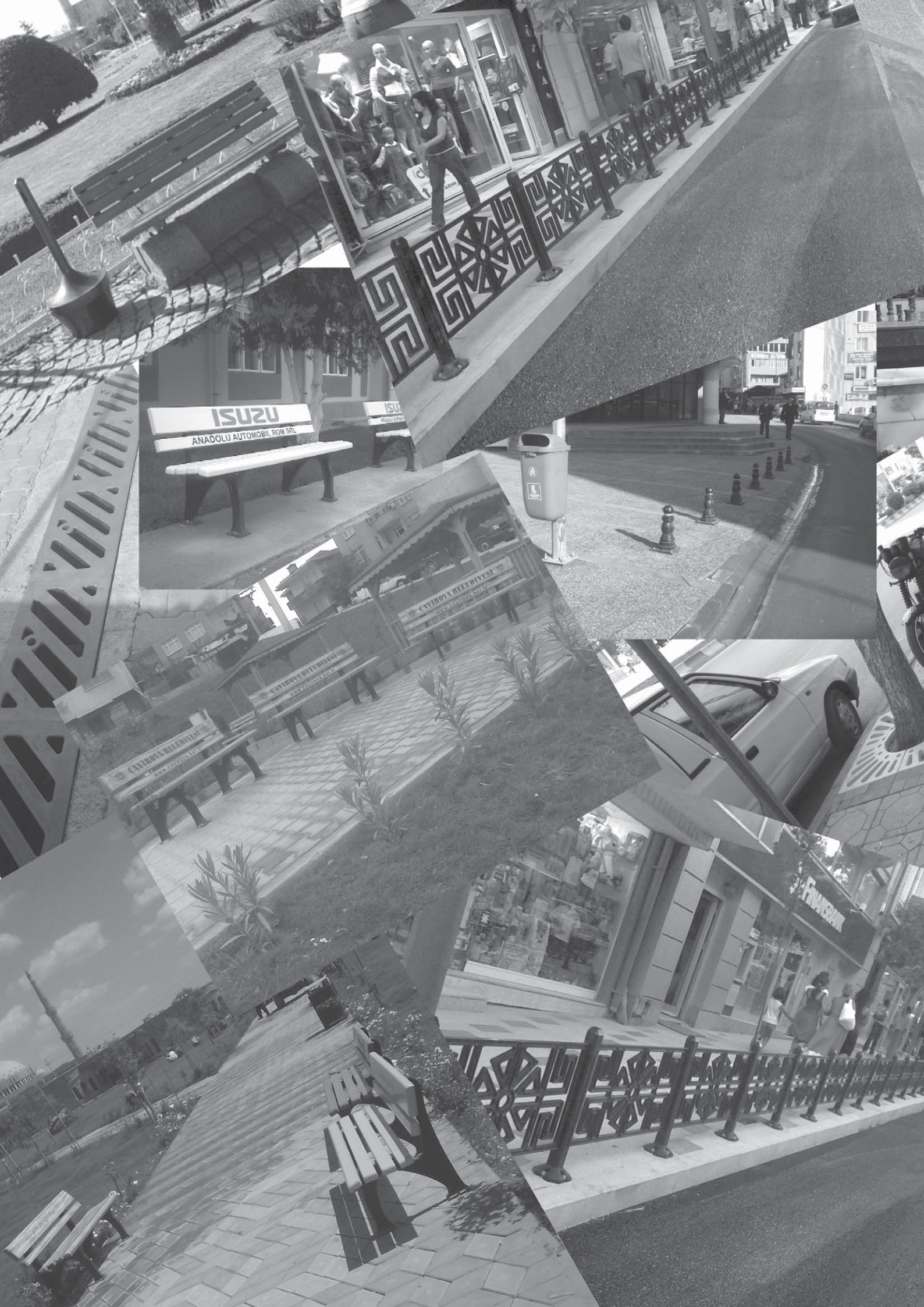
# an-ko®

 ANADOLU KOMPOZİT MAMÜLLER SAN. VE TİC. A.Ş.

[www.an-ko.com](http://www.an-ko.com)



COMPOSITE SUBSTRUCTURE AND STREET FURNITURE PRODUCTS



ISUZU  
ANADOLU AUTOMOBİL ROLM SRL

CENTROVA BETA DİVİSYONU  
WWW.CENTROVA.COM



FRANCO

## COMPOSITE

The material made up of two or more different elements is classified as a COMPOSITE. The advantage is that multiple materials with their own unique properties can be blended together to form a better "hybrid" material, possessing qualities of each. Generally fiber reinforced materials described as COMPOSITE.

an-ko branded products are manufactured with hot moulding technology by using fibreglass reinforced unsaturated polyester compounds.

### Some international abbreviations for COMPOSITE.

USA GRP (Glass fiber Reinforced Plastic)

Germany GFK (Glasfaser Kunststoffe)

UK FRP (Fiber glass Reinforced Plastic)

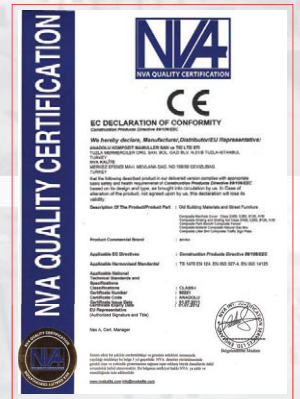
Italy PRFV (Plastici Rinforzati di Fibro di Vetro)

France PRFV (Plastique Renforce de Fibres de Verre)

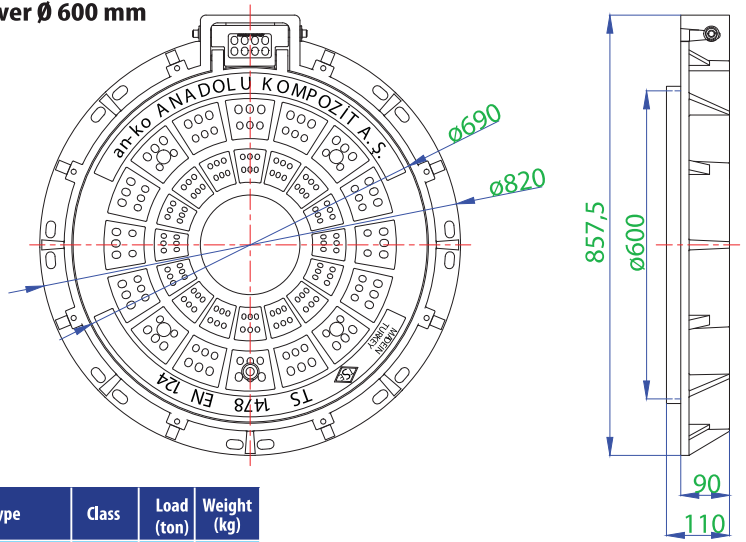
### Advantages

- \* Recyclable material but no commercial value
- \* Lightweight
- \* Corrosion resistance
- \* Dimensional stability
- \* High impact strength
- \* Fire retardant
- \* Healthy
- \* Wide color range
- \* Does not conduct electricity

### Certificates

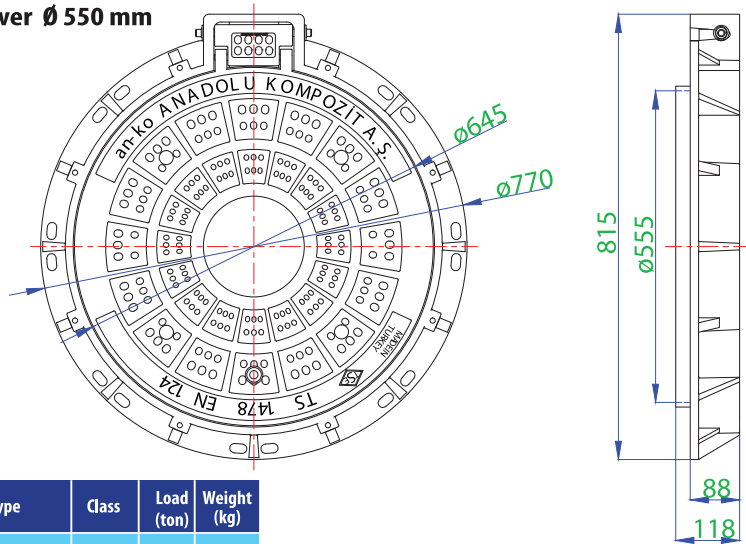


**ANKO-MH-100**  
Manhole Cover Ø 600 mm



Product Code	Type	Class	Load (ton)	Weight (kg)
ANKO-MH-100D	Heavy Duty	D400	40	45,5
ANKO-MH-100C	Medium Duty	C250	25	45,5
ANKO-MH-100B	Medium Light Duty	B125	12,5	45,5

**ANKO-MH-200**  
Manhole Cover Ø 550 mm



Product Code	Type	Class	Load (ton)	Weight (kg)
ANKO-MH-200D	Heavy Duty	D400	40	40,5
ANKO-MH-200C	Medium Duty	C250	25	40,5
ANKO-MH-200B	Medium Light Duty	B125	12,5	40,5

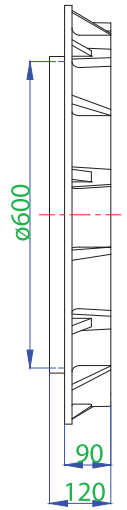
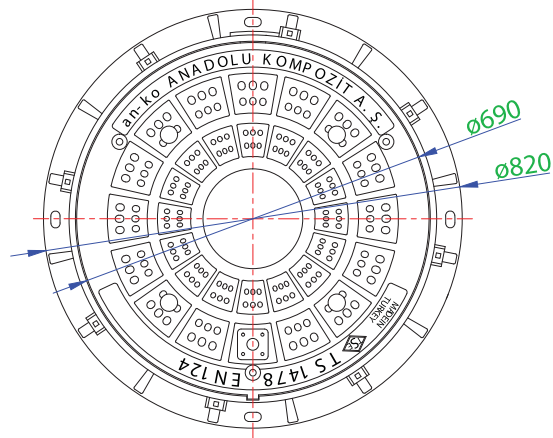


## Features

- \* Meets all existing requirements of EN 124
- \* Jointed hinge system.
- \* Can be opened 180°

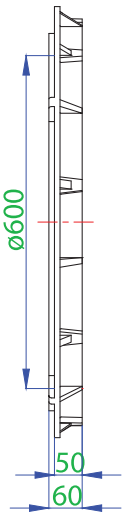
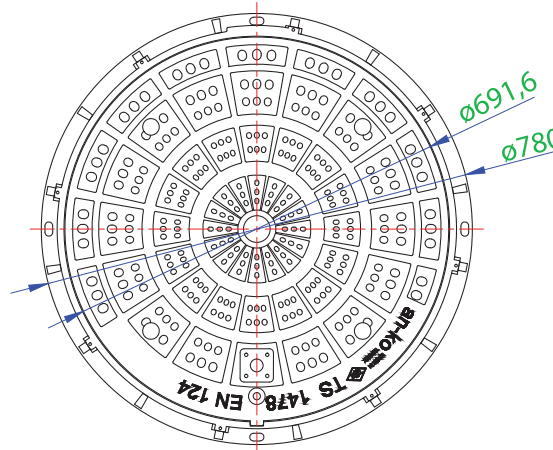
- \* Wide color range.
- \* Logo application available upon request.

## ANKO-MH-300 Manhole Cover Ø 600 mm ( Without Hinge)

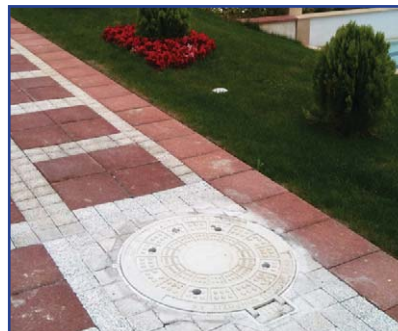


Product Code	Type	Class	Load (ton)	Weight (kg)
ANKO-MH-300D	Heavy Duty	D400	40	44
ANKO-MH-300C	Medium Duty	C250	25	44
ANKO-MH-300B	Medium Light Duty	B125	12.5	44

## ANKO-MH-301 Manhole Cover Ø 600 mm ( Without Hinge)



Product Code	Type	Class	Load (ton)	Weight (kg)
ANKO-MH-301C	Medium Duty	C250	25	26
ANKO-MH-301B	Medium Light Duty	B125	12.5	26



### Features

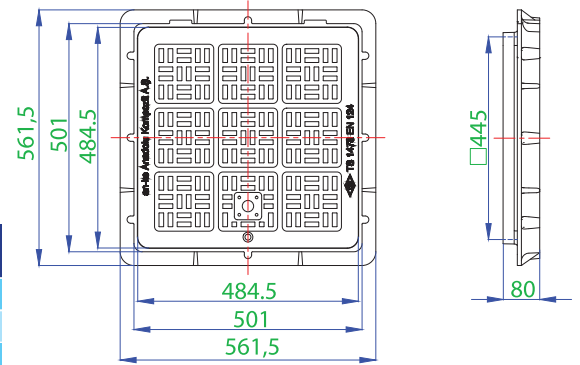
- \* Meets all existing requirements of EN 124
- \* Jointed hinge system.

- \* Wide color range.
- \* Logo application available upon request.

## ANKO-MH-400 Square Cover (500 mm x 500 mm)

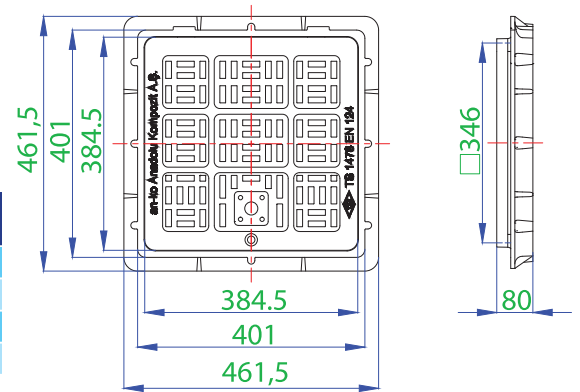


Product Code	Type	Class	Load (ton)	Weight (kg)
ANKO-MH-400D	Heavy Duty	D400	40	18
ANKO-MH-400C	Medium Duty	C250	25	18
ANKO MH 400B	Medium Light Duty	B125	12.5	18

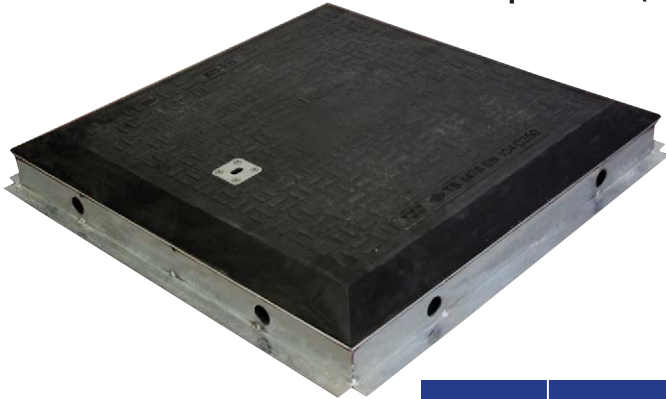


## ANKO-MH-401 Square Cover (400 mm x 400 mm)

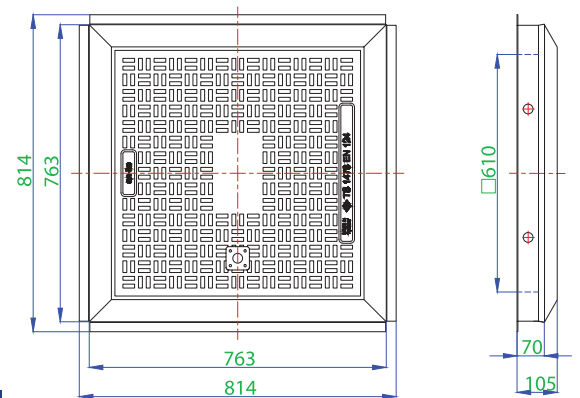
Product Code	Type	Class	Load (ton)	Weight (kg)
ANKO-MH-401D	Heavy Duty	D400	40	13
ANKO-MH-401C	Medium Duty	C250	25	11,5
ANKO-MH-401B	Medium Light Duty	B125	12.5	10
ANKO-MH-401A	Light Duty	A15	1,5	8



## ANKO-MH-402 Square Cover (760 mm x 760 mm)



Product Code	Type	Class	Load (ton)	Weight (kg)
ANKO-MH-402D	Heavy Duty	D400	40	48,5
ANKO-MH-402C	Medium Duty	C250	25	46
ANKO-MH-402B	Medium Light Duty	B125	12.5	46

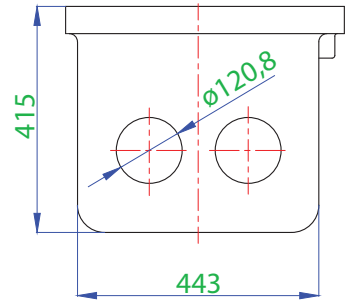
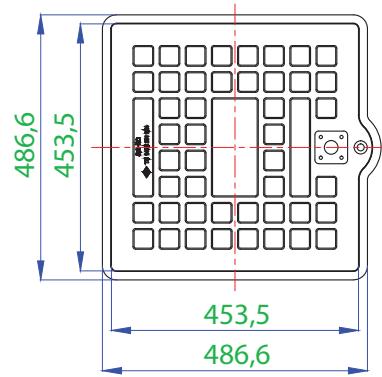


### Features

- \* Meets all existing requirements EN 124
- \* Manual locking system available.

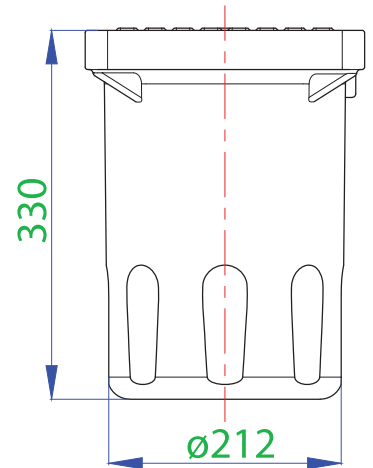
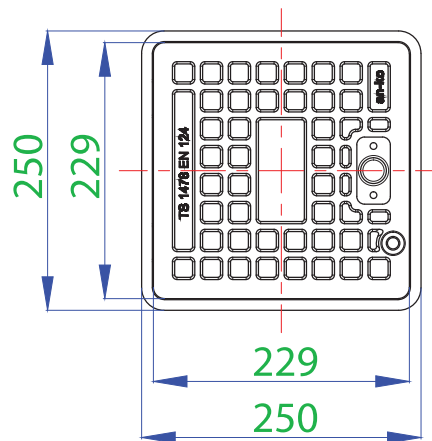
- \* Wide color range.
- \* Logo application available upon request

## ANKO-FO-100 Joint Box



Product Code	Type	Class	Load (ton)	Weight (kg)
ANKO-FO-100 D	Heavy Duty	D400	40	29,5
ANKO-FO-100 C	Medium Duty	C250	25	27,5
ANKO-FO-100 B	Medium Light Duty	B125	12,5	27,5
ANKO-FO-100 A	Light Duty	A15	1,5	23,5

## ANKO-TYPE 15-FO-200 Joint Box



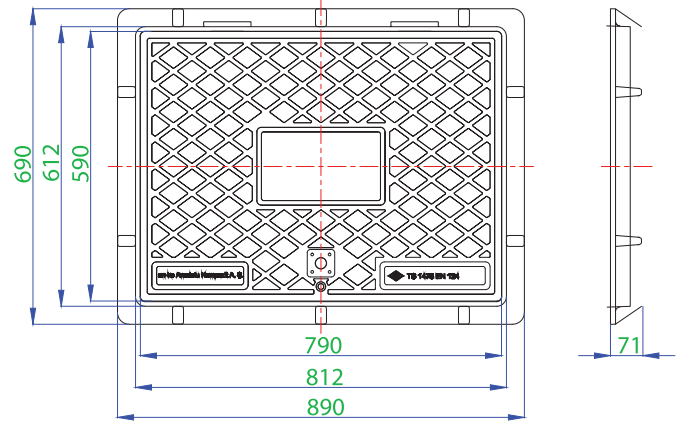
Product Code	Type	Class	Load (ton)	Weight (kg)
ANKO-FO-200B	Medium Light Duty	B125	12,5	5,5
ANKO-FO-200A	Light Duty	A15	1,5	5,5



### Features

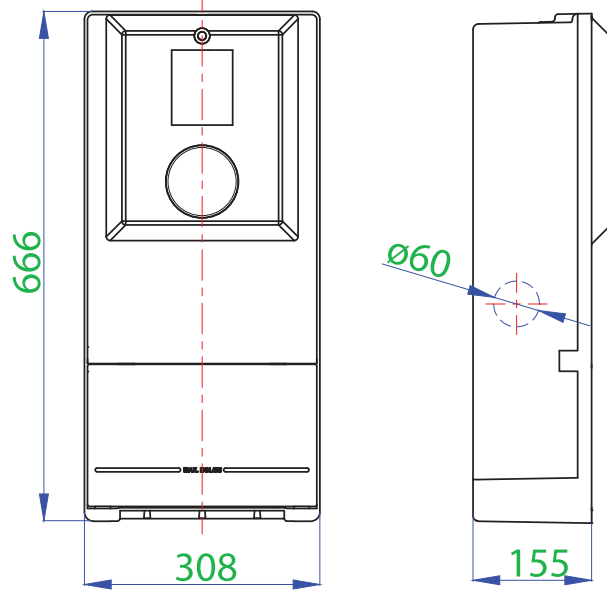
- \* Meets all existing requirements of EN 124
- \* Wide color range.
- \* Logo application available upon request.

## ANKO-MH-500 Telecom Cover 600x800 mm

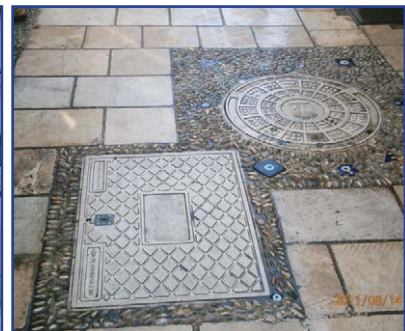


Product Code	Type	Class	Load (ton)	Weight (kg)
ANKO-MH-500C	Medium Duty	C250	25	34
ANKO-MH-500B	Medium Light Duty	B125	12.5	34

## ANKO-NG-S700 (S700 NATURAL GAS BOX) Regulator suitable for use with a capacity of 6 m<sup>3</sup> to 50 m<sup>3</sup>



Product Code	Type	Weight (kg)
ANKO-NG-S700	Outdoor	5.5



### Features

- \* For use aboveground.
- \* There is a locking mechanism
- \* Long-lasting.
- \* Stainless, maintenance-free.

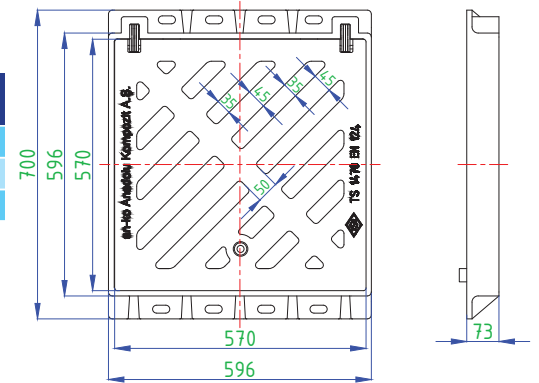
- \* Light product provides ease of transport and assembly.
- \* Non-flammable, self-extinguishing
- \* Wide color range
- \* Logo application available upon request



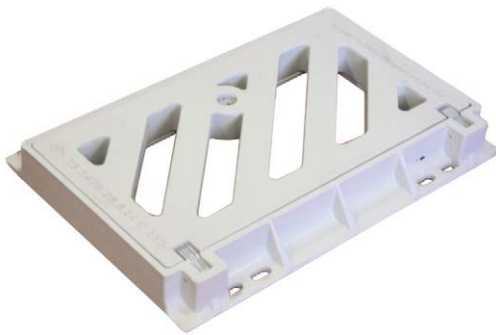
## ANKO-GG-100 Grating Set (570 x 570 mm)



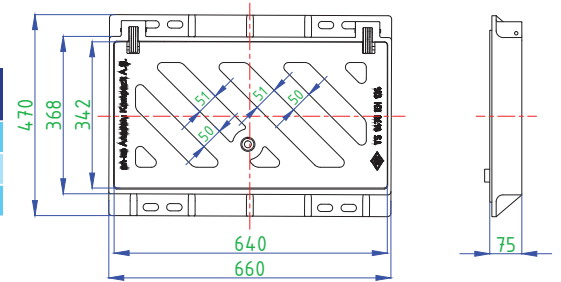
Product Code	Type	Class	Load (ton)	Weight (kg)
ANKO-GG-100 D	Heavy Duty	D400	40	34,5
ANKO-GG-100 C	Medium Duty	C250	25	34,5
ANKO-GG-100 B	Medium Light Duty	B125	12,5	34,5



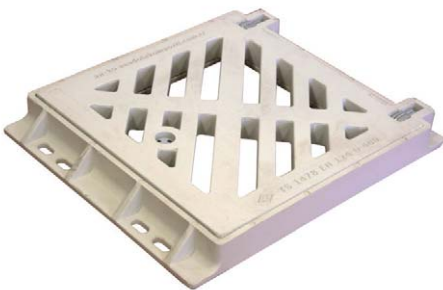
## ANKO-GG-101 Grating Set (640 x 345 mm)



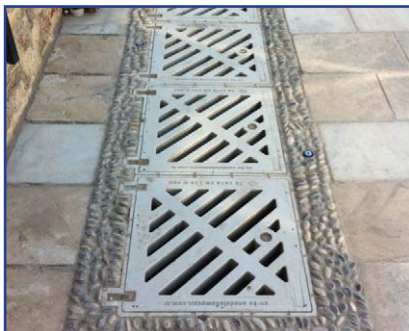
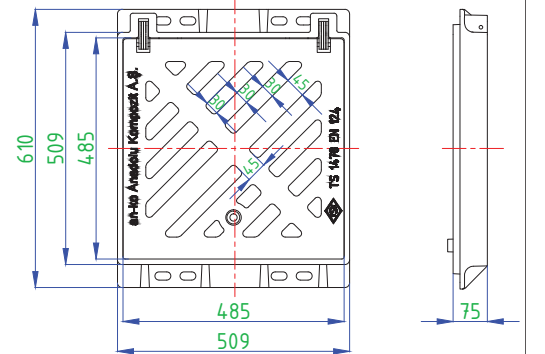
Product Code	Type	Class	Load (ton)	Weight (kg)
ANKO-GG-101 D	Heavy Duty	D400	40	22,5
ANKO-GG-101 C	Medium Duty	C250	25	22,5
ANKO-GG-101 B	Medium Light Duty	B125	12,5	22,5



## ANKO-GG-102 Grating Set (485 x 485 mm)

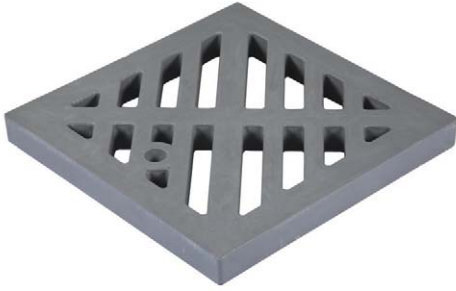


Product Code	Type	Class	Load (ton)	Weight (kg)
ANKO-GG-102 D	Heavy Duty	D400	40	23,5
ANKO-GG-102 C	Medium Duty	C250	25	23,5
ANKO-GG-102 B	Medium Light Duty	B125	12,5	23,5



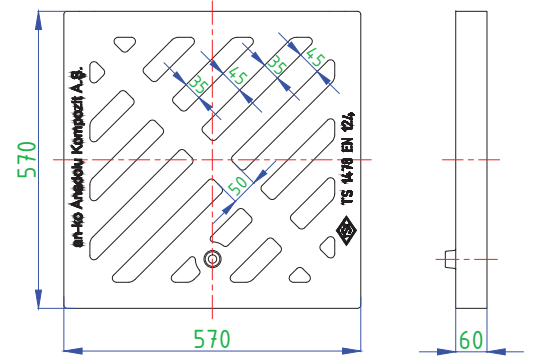
### Features

- \* Meets existing requirements of EN 124
- \* 1 Manual locking system.
- \* Dual jointed hinge system.
- \* Road oriented diagonal grid spacing with moderated width.
- \* Wide color range.
- \* Logo application available upon request.
- \* Dual jointed hinge system.
- \* Can be opened 180°



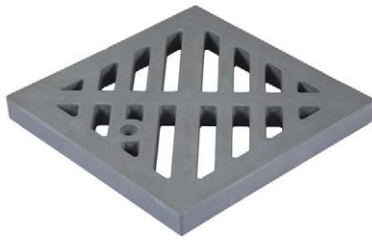
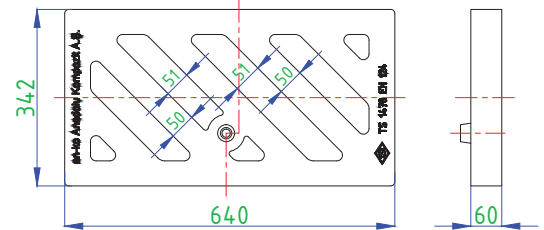
**ANKO-GG-200**  
Grating (570 x 570 mm)

Product Code	Type	Class	Load (ton)	Weight (kg)
ANKO-GG-200 D	Heavy Duty	D400	40	25
ANKO-GG-200 C	Medium Duty	C250	25	25
ANKO-GG-200 B	Medium Light Duty	B125	12,5	25



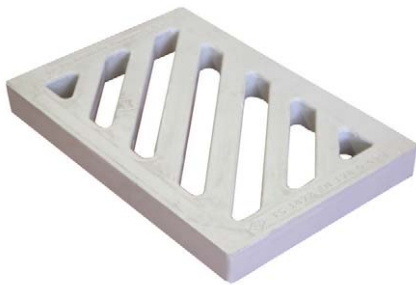
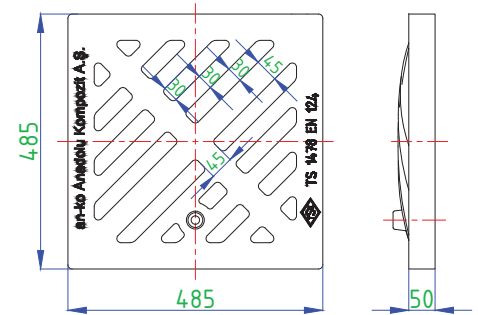
**ANKO-GG-201**  
Grating (640 x 345 mm)

Product Code	Type	Class	Load (ton)	Weight (kg)
ANKO-GG-201 D	Heavy Duty	D400	40	16
ANKO-GG-201 C	Medium Duty	C250	25	16
ANKO-GG-201 B	Medium Light Duty	B125	12,5	16



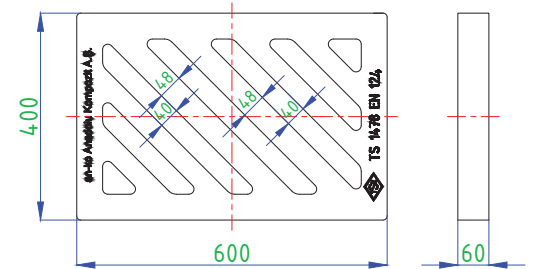
**ANKO-GG-202**  
Grating (485 x 485 mm)

Product Code	Type	Class	Load (ton)	Weight (kg)
ANKO-GG-202 D	Heavy Duty	D400	40	16
ANKO-GG-202 C	Medium Duty	C250	25	16
ANKO-GG-202 B	Medium Light Duty	B125	12,5	16



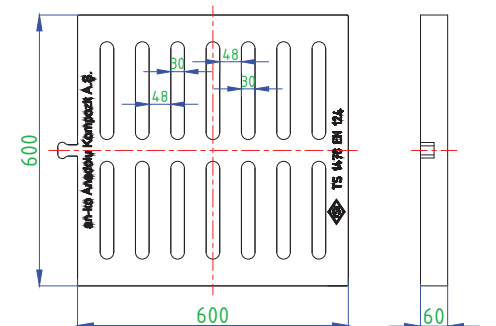
**ANKO-GG-203**  
Grating (400 x 600 mm)

Product Code	Type	Class	Load (ton)	Weight (kg)
ANKO-GG-203 D	Heavy Duty	D400	40	15,5
ANKO-GG-203 C	Medium Duty	C250	25	15,5
ANKO-GG-203 B	Medium Light Duty	B125	12,5	15,5



**ANKO-GG-204**  
Grating (600 x 600 mm)

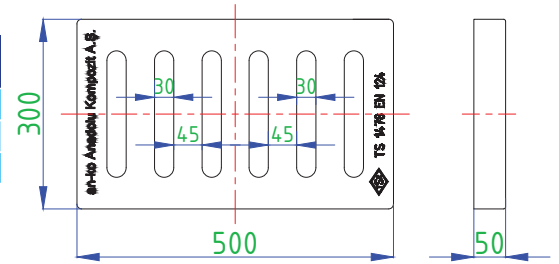
Product Code	Type	Class	Load (ton)	Weight (kg)
ANKO-GG-204 D	Heavy Duty	D400	40	27
ANKO-GG-204 C	Medium Duty	C250	25	27
ANKO-GG-204 B	Medium Light Duty	B125	12,5	27





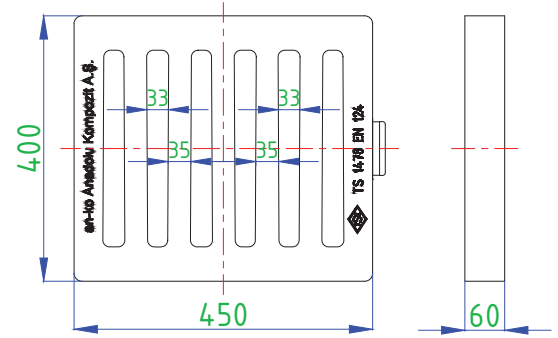
**ANKO-GG-205**  
Grating (300 x 500 mm)

Product Code	Type	Class	Load (ton)	Weight (kg)
ANKO-GG-205 D	Heavy Duty	D400	40	9
ANKO-GG-205 C	Medium Duty	C250	25	9
ANKO-GG-205 B	Medium Light Duty	B125	12,5	9



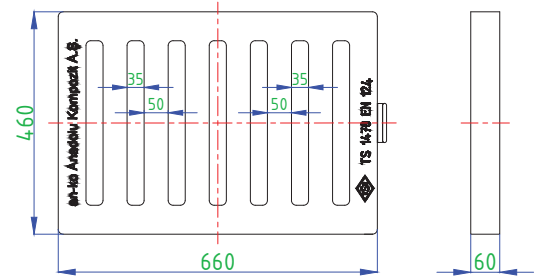
**ANKO-GG-206**  
Grating (400 x 450 mm)

Product Code	Type	Class	Load (ton)	Weight (kg)
ANKO-GG-206 D	Heavy Duty	D400	40	11,5
ANKO-GG-206 C	Medium Duty	C250	25	11,5
ANKO-GG-206 B	Medium Light Duty	B125	12,5	11,5



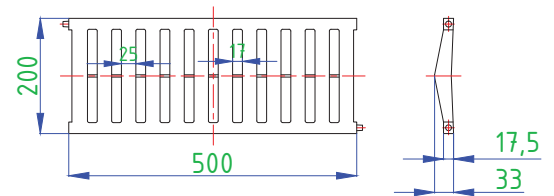
**ANKO-GG-207**  
Grating (460 x 660 mm)

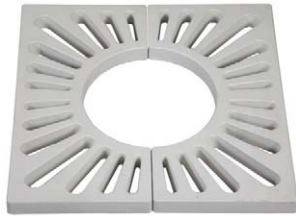
Product Code	Type	Class	Load (ton)	Weight (kg)
ANKO-GG-207 D	Heavy Duty	D400	40	22
ANKO-GG-207 C	Medium Duty	C250	25	22
ANKO-GG-207 B	Medium Light Duty	B125	12,5	22



**ANKO GG 208**  
Grating (200 x 500 mm)

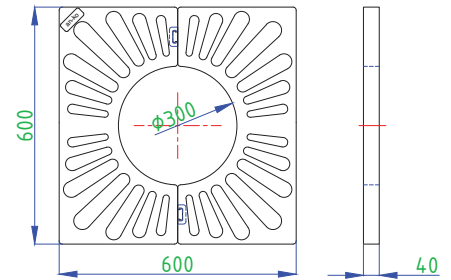
Product Code	Type	Class	Load (ton)	Weight (kg)
ANKO-GG-208 A	Light Duty	A50	5	2,1
ANKO-GG-208 A	Light Duty	A15	1,5	2,1





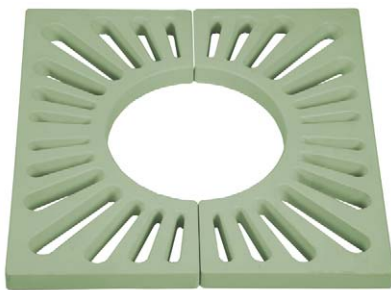
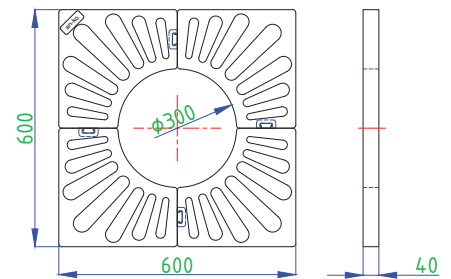
**ANKO-TG-100**  
**Tree Grate (600 x 600 mm)**

Type : 2 Pieces  
Weight : 10.6 kg



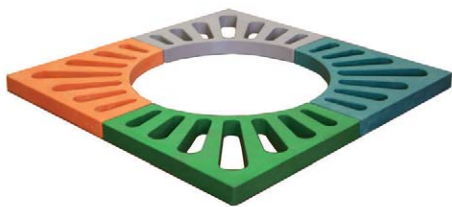
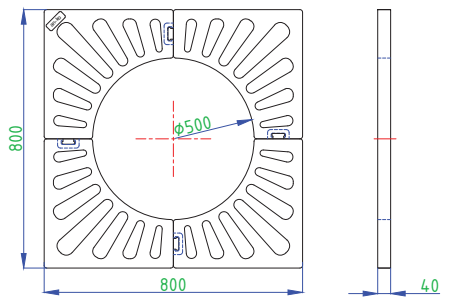
**ANKO-TG-101**  
**Tree Grate (600 x 600 mm)**

Type : 4 Pieces  
Weight : 5.6 kg



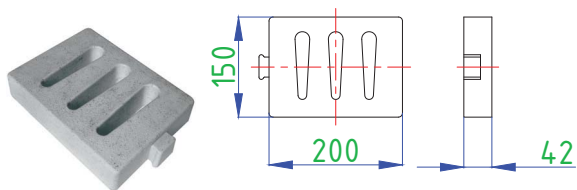
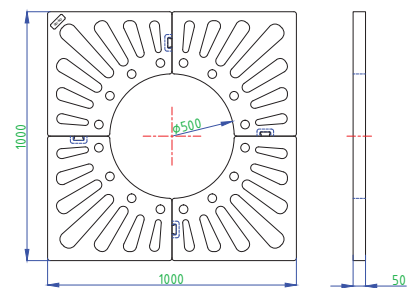
**ANKO-TG-103**  
**Tree Grate (800 x 800 mm)**

Type : 4 Pieces  
Weight : 8 kg

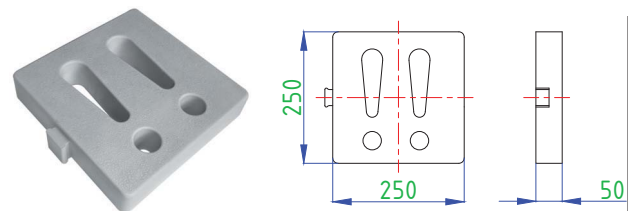


**ANKO-TG-102**  
**Tree Grate (1000 x 1000 mm)**

Type : 4 Pieces  
Weight : 14 kg

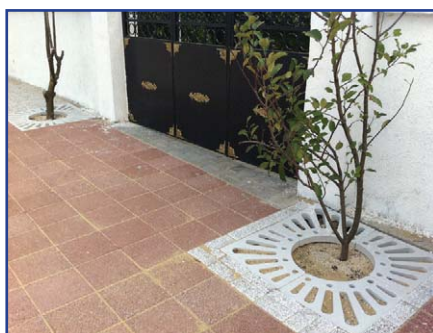
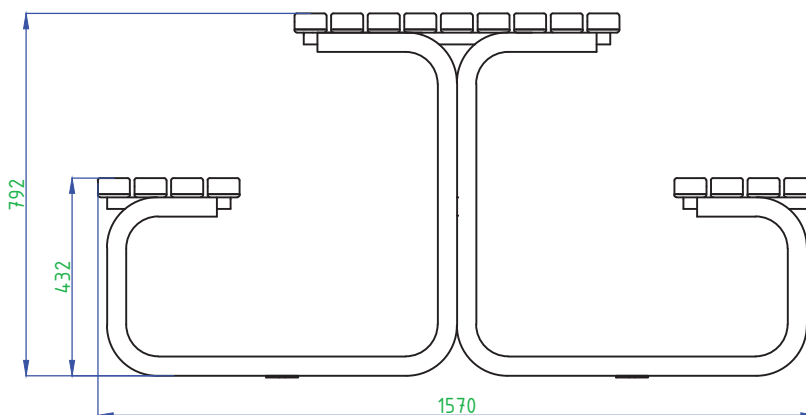
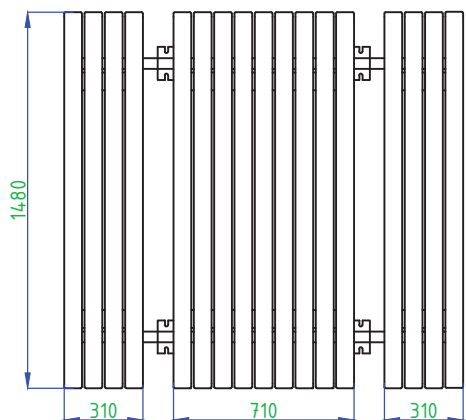


**ANKO-TG-201**  
**Tree Grate Adaptor (600 x 600 mm)**

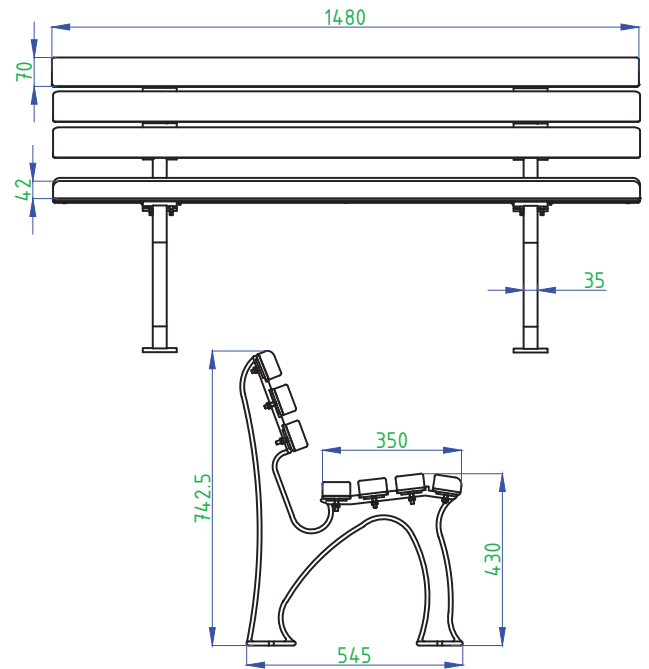
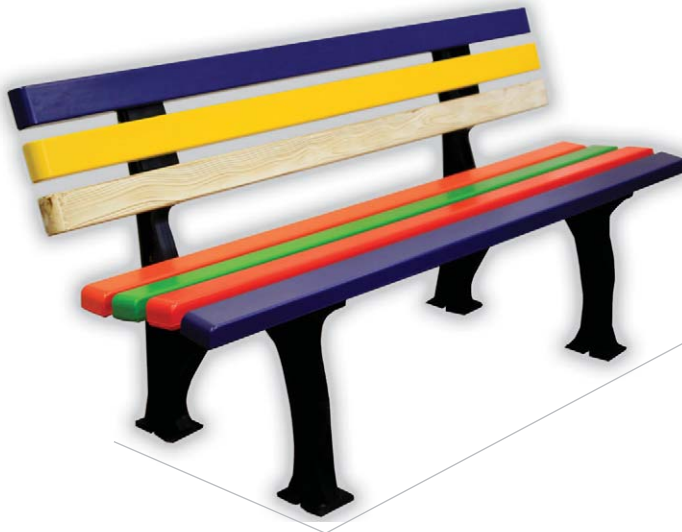


**ANKO-TG-202**  
**Tree Grate Adaptor (1000 x 1000 mm)**

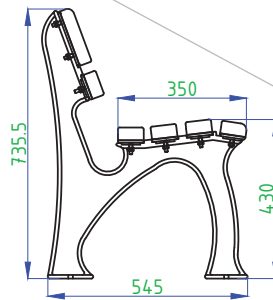
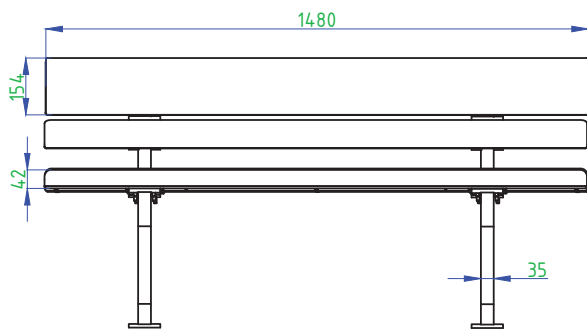
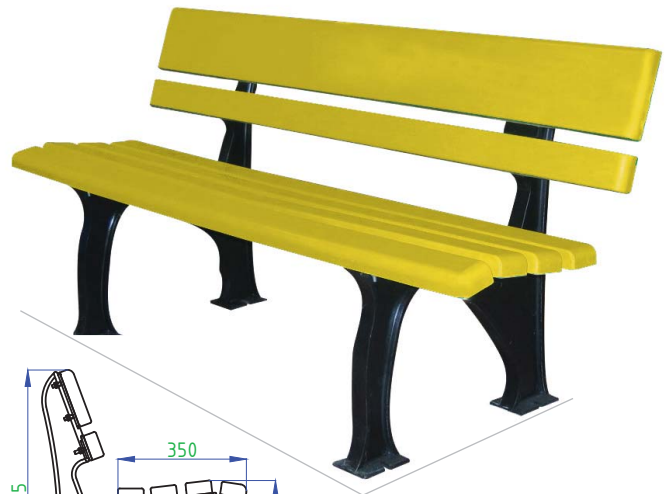
ANKO-PT-101  
Picnic Table



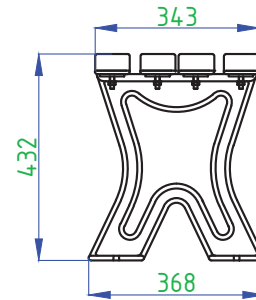
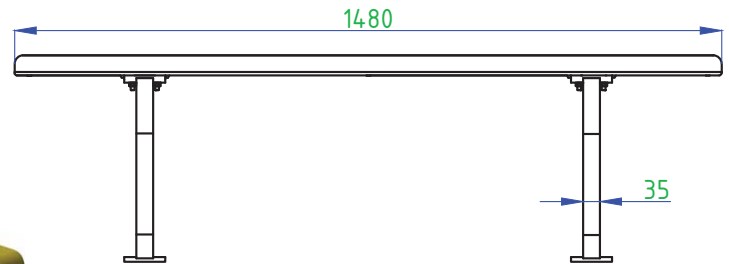
**ANKO-BANK-100**  
**Bench Classical 1**  
 Weight : 32.5 kg



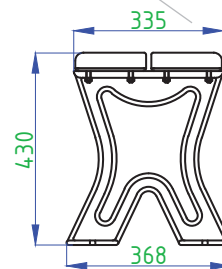
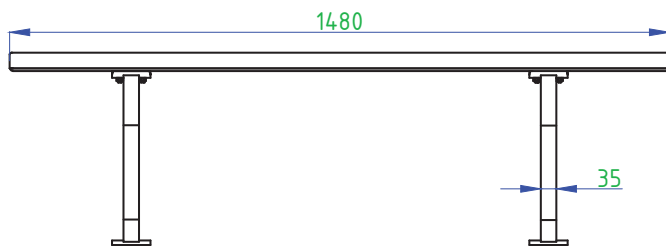
**ANKO-BANK-101**  
**Bench Classical 2**  
 Weight : 33.5 kg



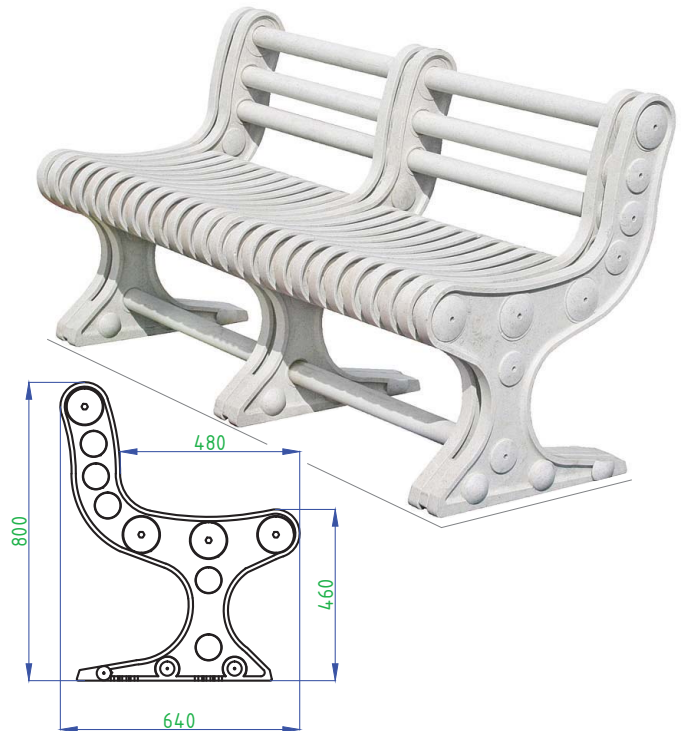
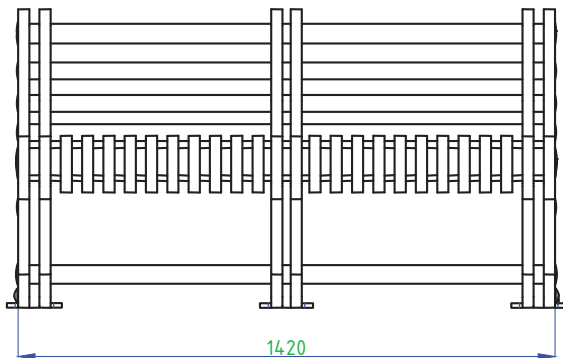
**ANKO-BANK-200**  
Bench Classical 1 - Restless  
Weight: 19 kg



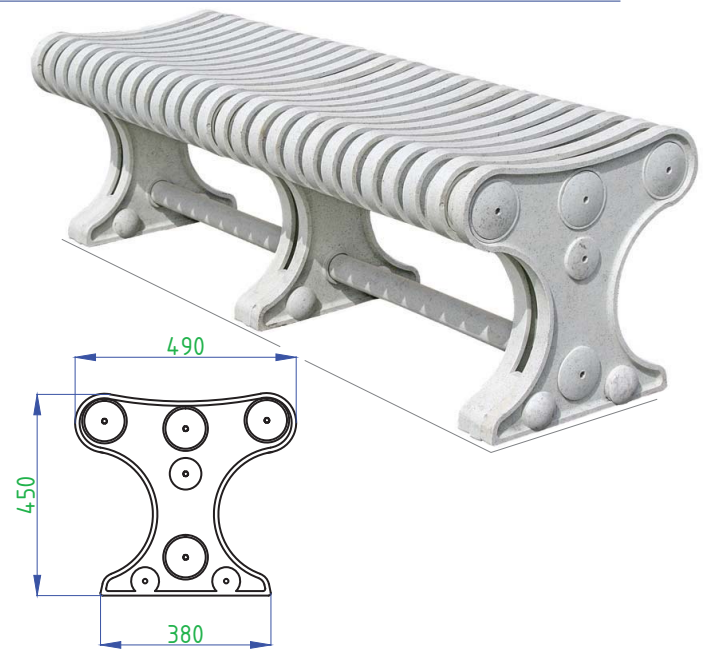
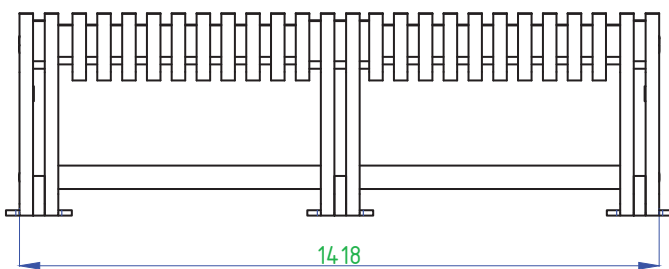
**ANKO-BANK-201**  
Bench Classical 2 - Restless  
Weight: 20 kg



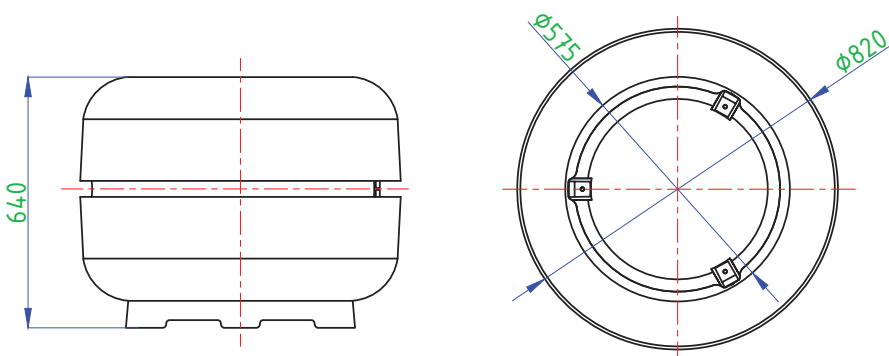
**ANKO-BA-300**  
**Bench Dating**  
Weight: 80 kg



**ANKO-BA-301**  
**Bench Dating - Restless**  
Weight: 65 kg



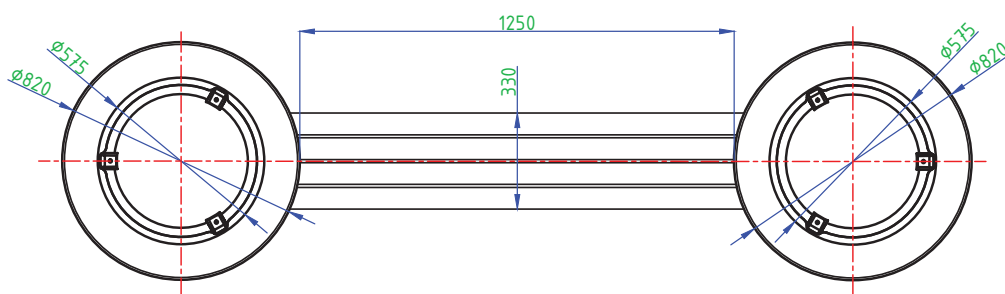
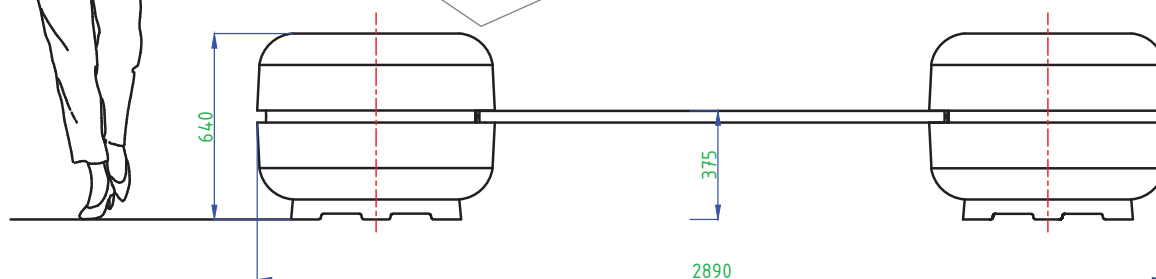




**ANKO-PL-100**  
Planter Ø 820 mm



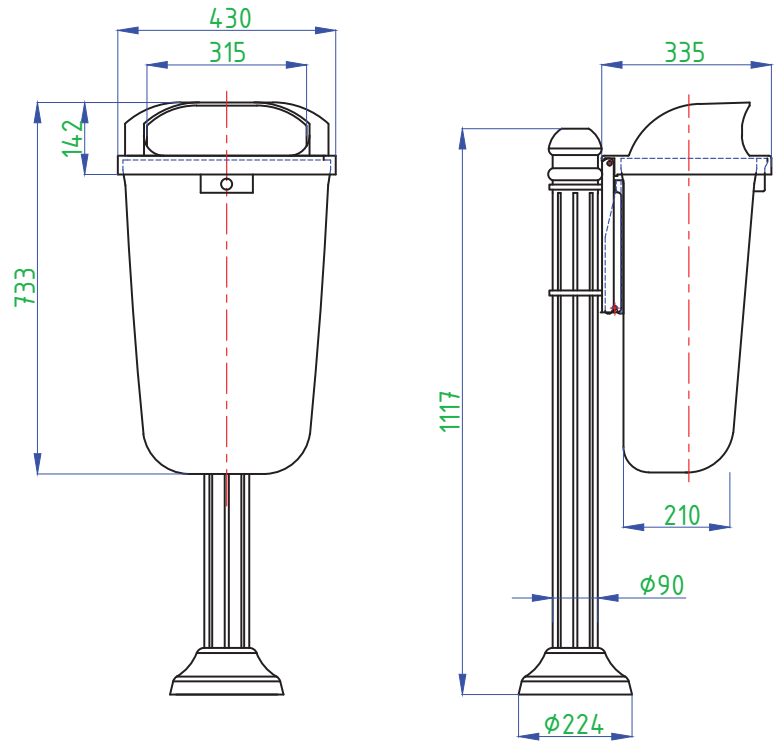
**ANKO-PL-101**  
Bridge Bench



**ANKO-RF-100**  
Pole (Litter Bin)



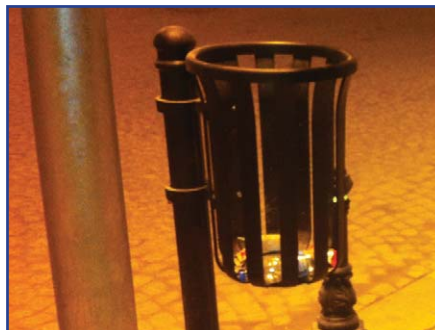
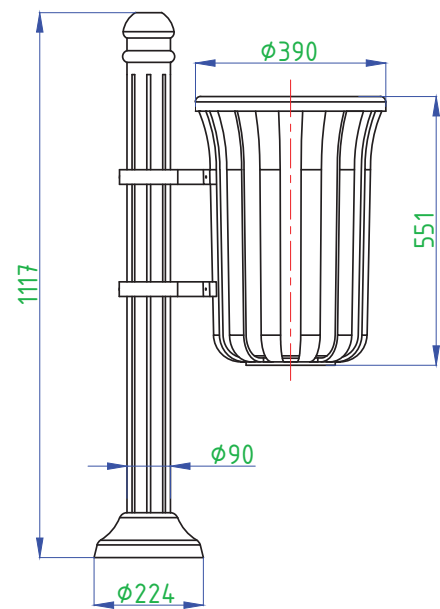
**ANKO-RF-200**  
Litter Bin Pole Type.  
Volume: 50 Lt.



**ANKO-RF-201**  
Litter Bin Garby  
Volume: 50 Lt.



**ANKO-RF-202**  
Refuse Basket  
Volume: 50 Lt.



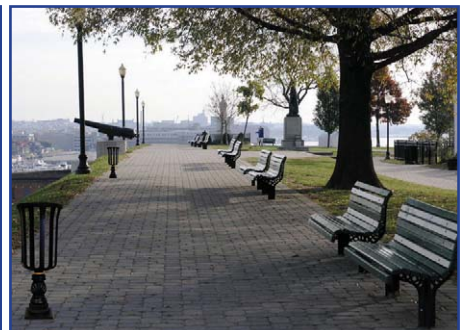
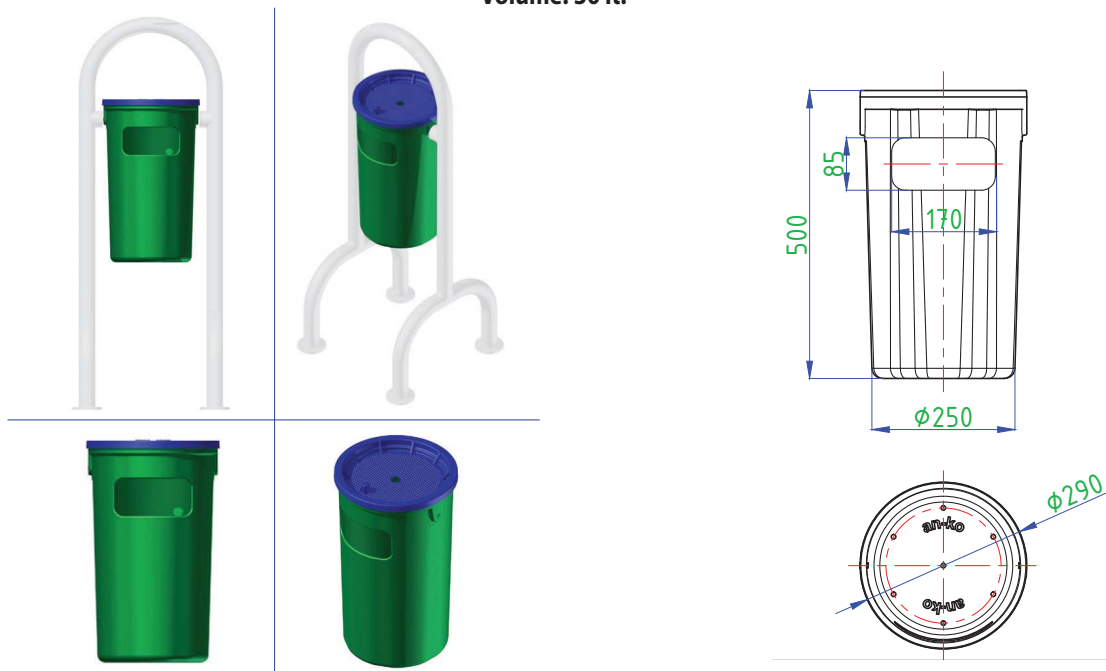
## Features

- \* Wide color range.
- \* Logo application available upon request.

**ANKO-RF 203**  
Litter Bin-Cup Garby  
Volume: 50 lt.



**ANKO-RF 204**  
28x50 Dustbin  
Volume: 30 lt.



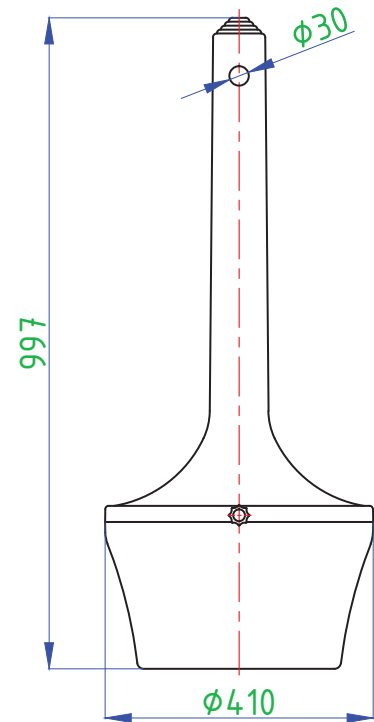


## Features

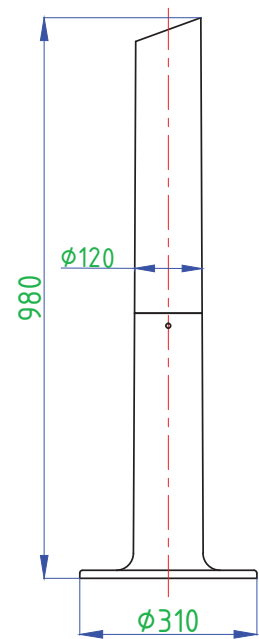
- \* Wide color range.
- \* Logo application available upon request.



**ANKO-SB-500**  
Smoker Bin 500



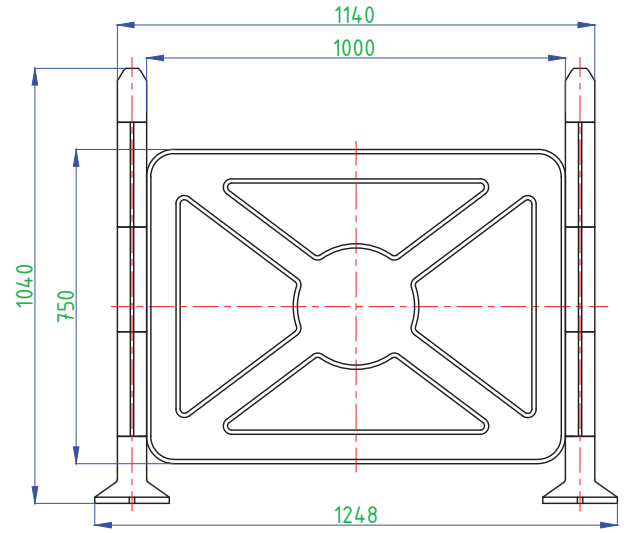
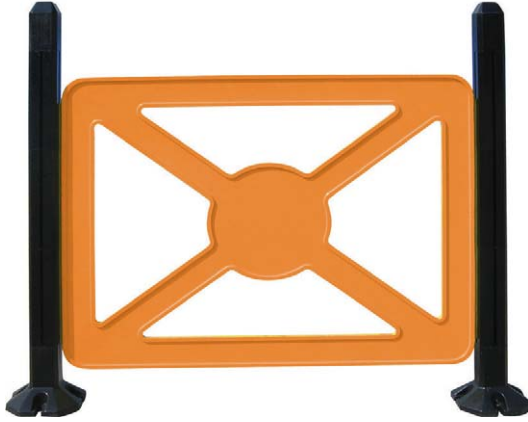
**ANKO-SB-600**  
Smoker Bin 600



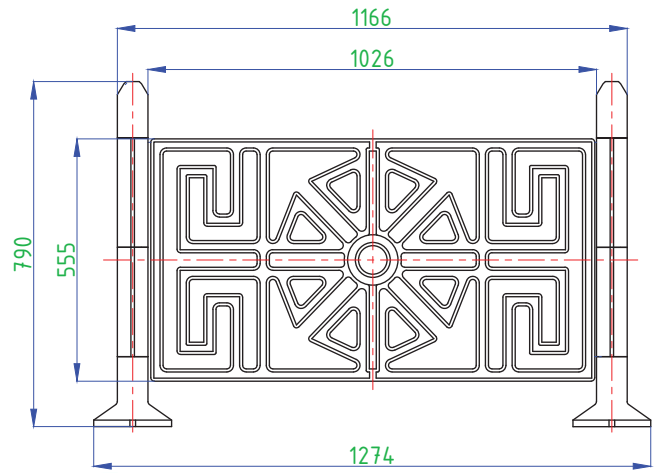
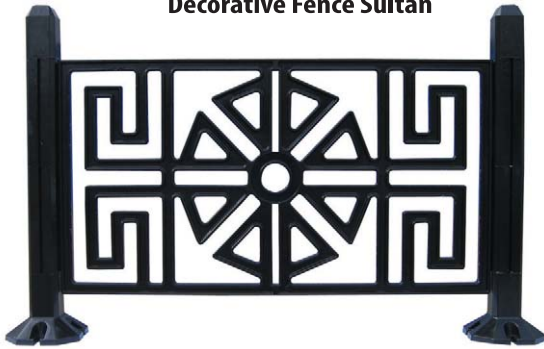
## Features

- \* Wide color range.
- \* Can be mounted to ground

**ANKO-DF-100**  
Decorative Fence



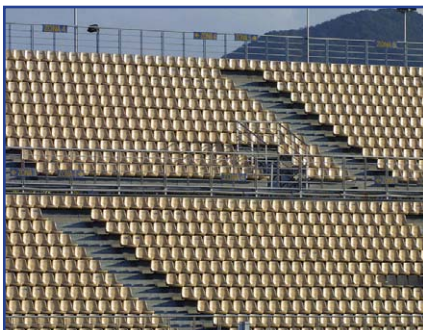
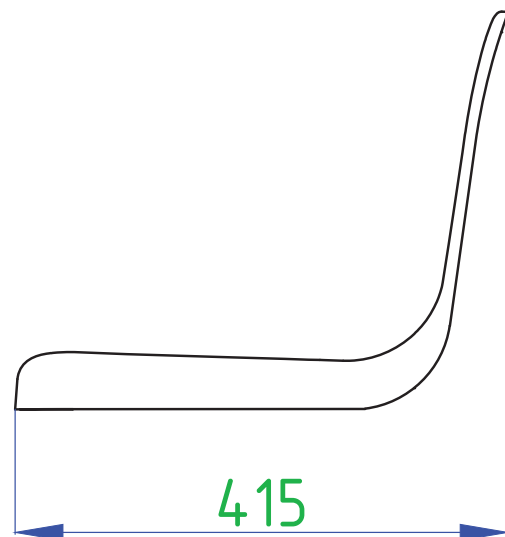
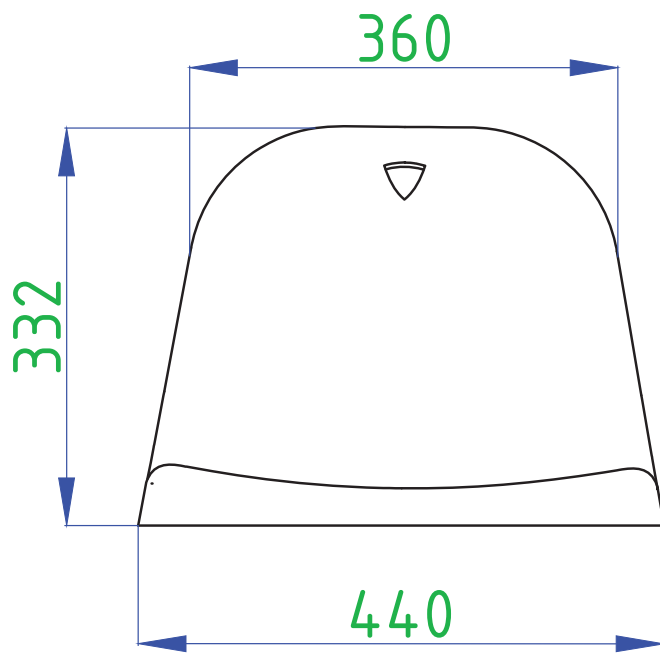
**ANKO-DF-101**  
Decorative Fence Sultan



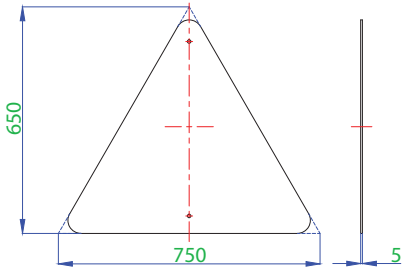
## Features

- \* Wide color range.
- \* Logo application available upon request.

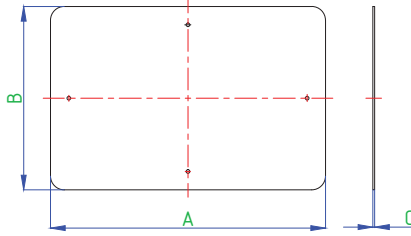
ANKO-SS-100  
Stadium Seat



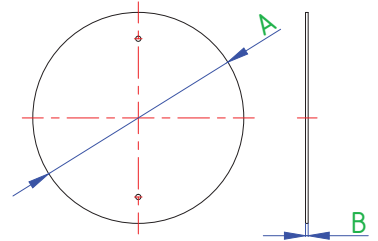
**ANKO-TS-300**  
Triangle Plate (750 mm)



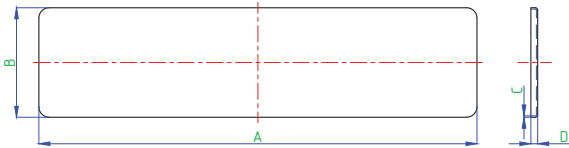
**ANKO-TS 200 500X400mm**  
**ANKO-TS 201 750X300mm**  
**ANKO-TS 202 750X500mm**  
**ANKO-TS 203 600X600mm**  
**ANKO-TS 204 600X900mm**



**ANKO-TS-100 Ø400mm**  
**ANKO-TS-101 Ø600mm**



**Anko-TS-400-400x600mm**  
**Anko-TS-401-800x600mm**

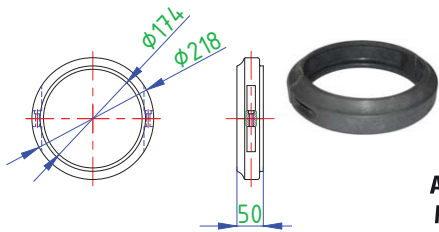


Product Code	A	B	C	D
ANKO-TS-200	500 mm	400 mm	5 mm	
ANKO-TS-201	750 mm	300 mm	5 mm	
ANKO-TS-202	750 mm	500 mm	5 mm	
ANKO-TS-203	600 mm	600 mm	5 mm	
ANKO-TS-204	600 mm	900 mm	5 mm	
ANKO-TS-400	1600 mm	400 mm	5 mm	25 mm
ANKO-TS-401	1600 mm	600 mm	5 mm	25 mm

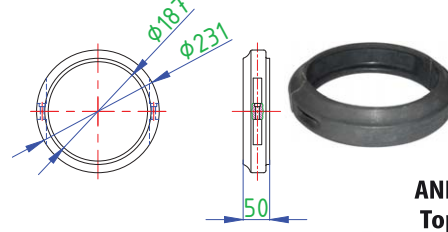




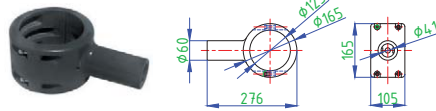
**ANKO-LA-100**  
Clamp (10 m)



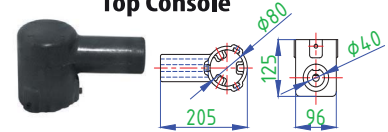
**ANKO-LA-200**  
Clamp (12 m)



**ANKO-LA-101**  
Mid Console



**ANKO-LA-102**  
Top Console

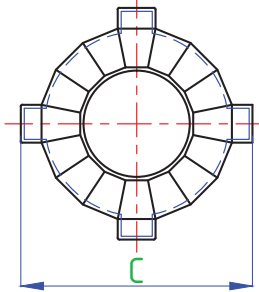


**ANKO-LA-6m**  
**ANKO-LA-8m**

**ANKO-LA-10m**  
**ANKO-LA-12m**



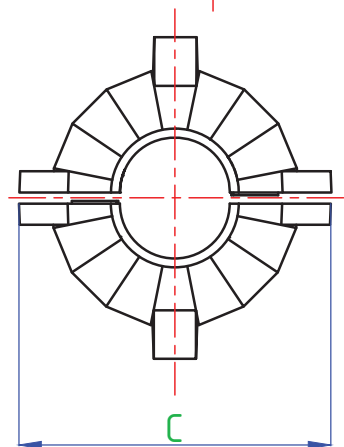
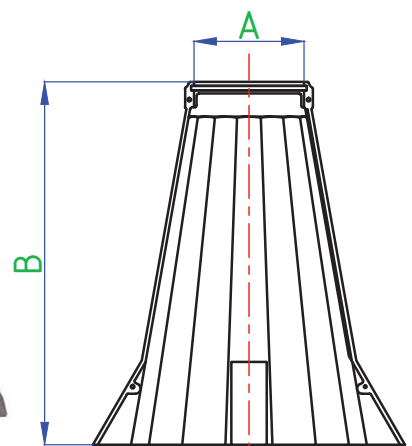
**PART ONE**



**ANKO-LA-10m2**  
**ANKO-LA-12m2**









**PART TWO**

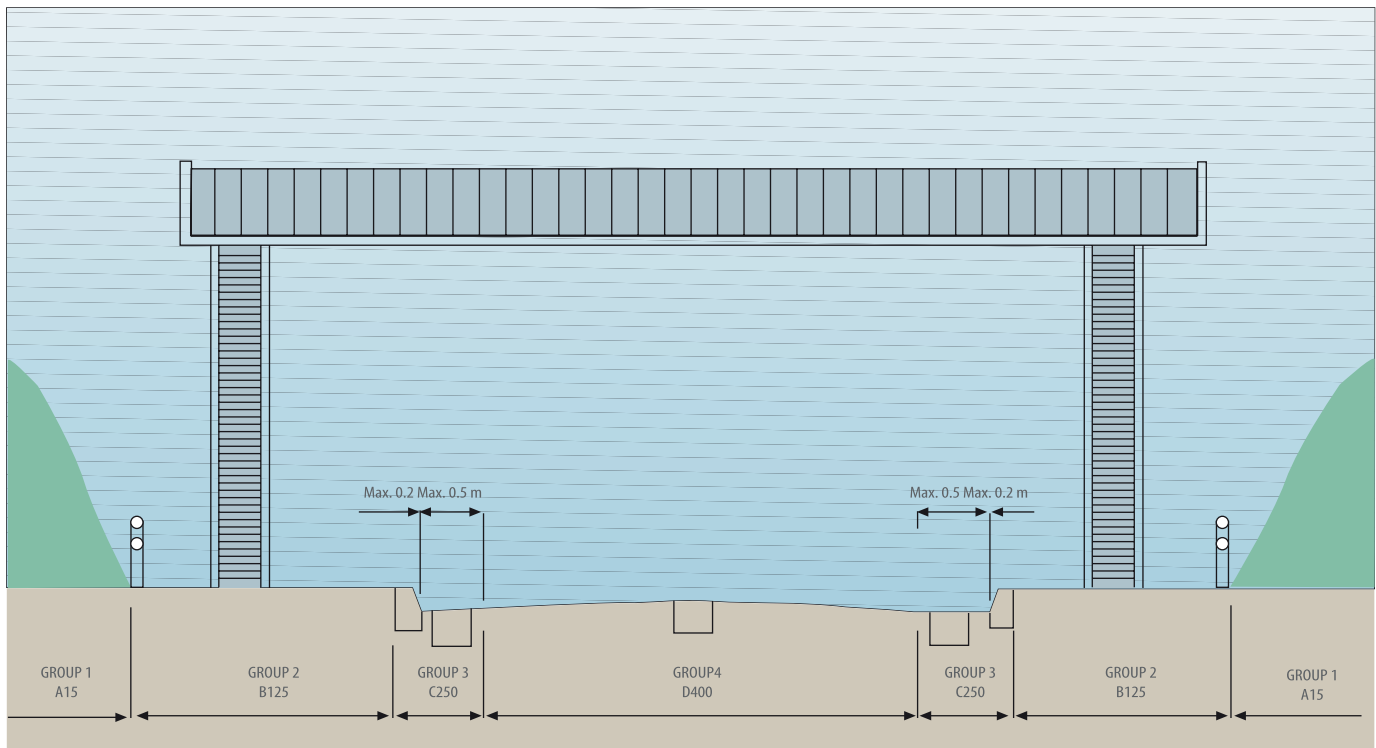


Product Code	A	B	C
ANKO-LA-6m	145 (mm)	490 (mm)	335 (mm)
ANKO-LA-8m	150 (mm)	470 (mm)	335 (mm)
ANKO-LA-10m	188 (mm)	590 (mm)	410 (mm)
ANKO-LA-12m	200 (mm)	580 (mm)	514 (mm)
ANKO-LA-10m2	175.5 (mm)	645 (mm)	554 (mm)
ANKO-LA-12m2	195.5 (mm)	645 (mm)	554 (mm)



GROUP	CLASS	LOAD STRENGTH	SCOPE	INSTALLATION AREAS	EXAMPLE	
	6	F900	90 Tones (900 kN)	Private areas	Areas imposing particularly high wheel loads.	Aircraft pavements
	5	E600	60 Tones (600 kN)	Private areas	Areas imposing high wheel loads	Docks, aircraft pavements
	4	D400	40 Tones (400 kN)	Vehicular traffic	Carriageway of roads (including pedestrian ways) hard shoulders and parking areas for all types of road vehicles	Roadways and vehicle traffic
	3	C250	25 Tones (250 kN)	Medium duty	Kerbside channels of roads which when measured from the kerb edge extend a maximum of 0.5m into the carriageway and a maximum of 0.2m into the footway	Kerbsides parking areas
	2	B125	12,5 Tones (125 kN)	Medium light duty	Footways, pedestrian areas and areas with light duty	Parking areas only for cars
	1	A15	1,5 Tones (15 kN)	light duty	Areas which can only be used by pedestrians and pedal cyclists	Bicycle ways, pedestrian ways

## TYPICAL HIGHWAY CROSS-SECTION SHOWING THE LOCATION OF SOME INSTALLATION GROUPS





TAKSİ  
DURAGI

KBBAN



**ANADOLU KOMPOZİT**  
MAMÜLLER SAN. ve TİC. A.Ş.

Aydınlı Mah. İstanbul Anadolu Yakası Org. San. Bölgesi  
Gazi Bulvarı 51/B Tuzla - İstanbul / Turkey

Phone : +90 216 593 17 20 (Pbx)

Fax : +90 216 593 17 23

E-mail : info@an-ko.com

[www.an-ko.com](http://www.an-ko.com)



14.10.02/TSE-13850



NIS ZERT  
ISO 9001:2008  
NIS 612'01

